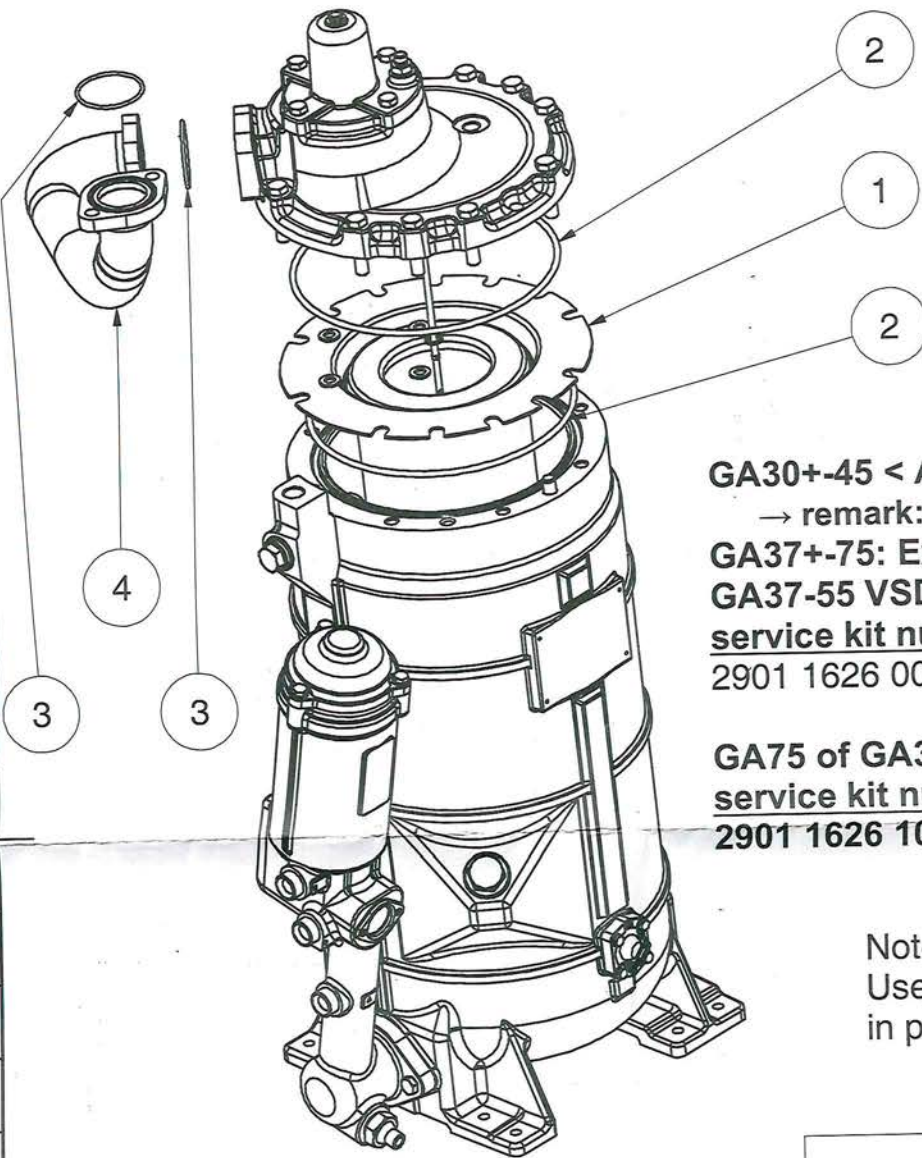


Parent 3D model		9820958100	Ed.Vers 3D	00.00
Note	Position	Modified from		Date
05		Added 2nd O-ring & pipe, changed text to clarify		2011-04-08 AIR15294



**GA30+-45 < API 591000**  
 → remark: only 1 x O-ring 3 used  
**GA37+-75: Except GA75 (see below)**  
**GA37-55 VSD**  
service kit number:  
 2901 1626 00

**GA75 of GA37+-75**  
service kit number:  
 2901 1626 10

Note:  
 Use vaseline to fix o-ring  
 in position 2 and 3.

Parts List		
Pos	Qty	Name
1	1	SEPARATOR
2	2	O-RING
3	2	O-RING
4	1	PIPE

Toleranties, indien niet aangegeven, zijn volgens:  
 Tolerances, if not indicated, according to:  
 ATLAS COPCO STANDARD /Klasse/CLASS

Benaming Name		KIT		OIL SEPARATOR		Geheimh.klasse Secrecy Class		
Materiaal Material		SEE DRAWING				1102 K / 3		
Behandeling Treatment		Untreated				INV		Eigenaar Drawing owner All
Schaal Scale		-/-		Familie Family		A4 Vergelijk Compare		
Getekend Drawn by		AIR15294		Ruw nr. Blank nr.		Vervangt Replaces		
Version Drwg		05.03		Ruw gew. Blank wt.		0 Kg		Identificatie/Designation
Des gez./chd.		Prod gez./chd.		Goedg./Appd.		Datum/Date		
Afg gew. Fini wt.		108,578 Kg		Blad/Sheet		01 / 01		
STATUS		Approved		9820958100				

**CONFIDENTIAL:**  
 This document is our property and shall not without our permission be altered,  
 copied, used for manufacturing or communicated to any other person or company.